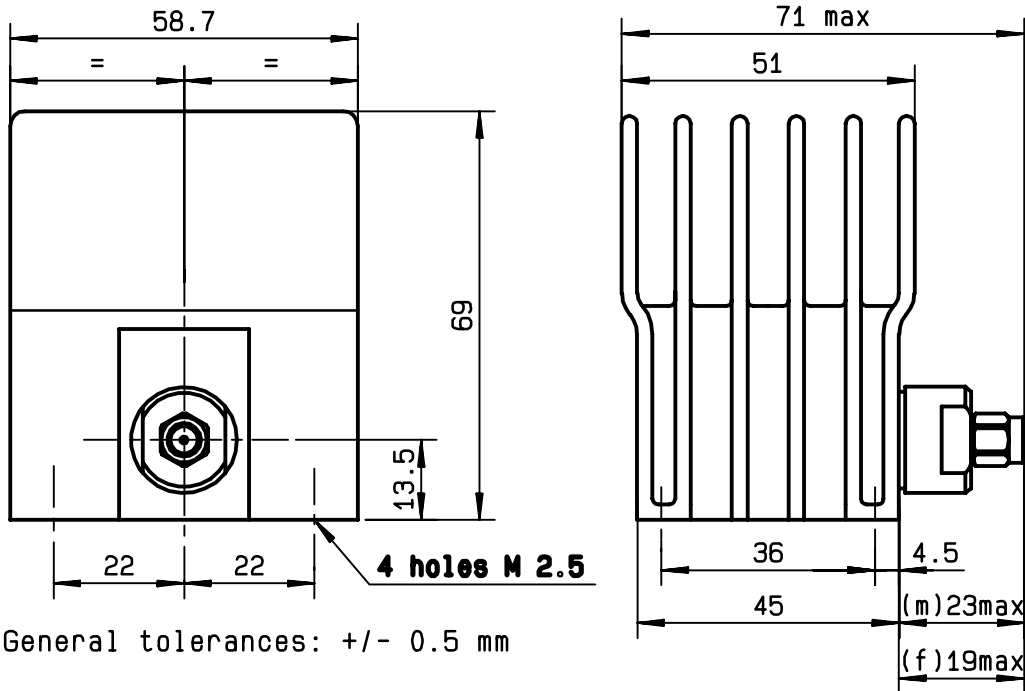


TITLE: 50 W 4GHZ SMA/m COAXIAL TERMINATION

LTR. B



General tolerances: +/- 0.5 mm

ELECTRICAL CHARACTERISTICS

FREQUENCY RANGE	: DC - 4GHz
IMPEDANCE	: 50 Ohms
DC RESISTANCE	: 50 Ohms ± 5 %
AVERAGE POWER HANDLING	: 50 W at 25°C
PEAK POWER HANDLING	: 5 kW (1 μs, 1%.) at 25°C
V.S.W.R :	DC - 2 GHz : ≤ 1.10
	2 - 4 GHz : ≤ 1.20

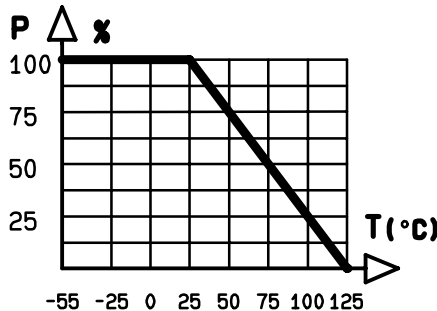
MECHANICAL CHARACTERISTICS

CONNECTOR	: SMA male per MIL C 39012
MAXIMUM WEIGHT	: 320 grams

ENVIRONMENTAL CHARACTERISTICS

OPERATING TEMPERATURE RANGE (°C)	: -55 , +125
STORAGE TEMPERATURE RANGE (°C)	: -55 , +125

Power derating Versus temperature



Tentative data subject to change without notice

PEN 95182	QUALITY Dpt App.					
	PAGE 1 / 1	DATE 24.04.91	NAME KL	LTR	REVISIONS	DATE 22.10.92